

HIGH EFFICIENCY WATER HEATING



Designed by Hamilton Engineering,
manufactured in Michigan



Pool **HEATERS**

Hamilton Engineering's Pool Heater package is a compact, high-efficiency, condensing water heating system that's engineered to heat your pool efficiently. By operating in the condensing mode throughout the run cycle, you're assured of the highest efficiencies possible, while maintaining a consistent pool temperature.

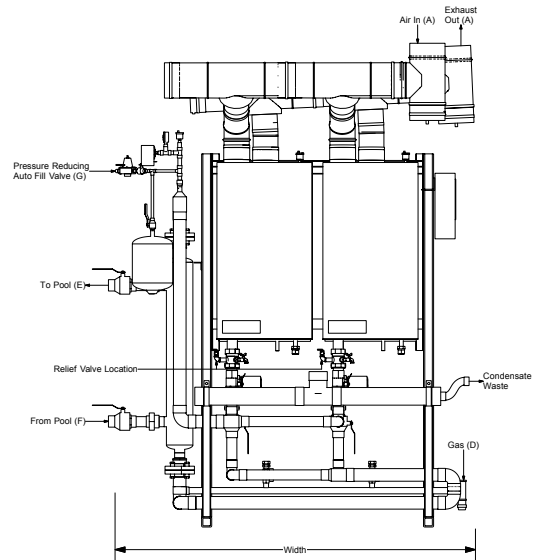
Factory designed, assembled, and tested, these packages are easy to install and will maximize heater life while **minimizing operating costs!**

What can it do?

The EVO Pool Heater utilizes an external, specially designed heat exchanger to protect your investment from the harmful effects of pool chemicals. As a complete system, the EVO pool heater is designed to provide reliable, long-lasting performance.

The factory assembled package provides single point utility connections to minimize installation time. These packages can be configured with multiple boilers to provide redundancy and minimize any chance of downtime. Multi-boiler packages are equipped with common venting for single-point intake/exhaust connections.

Standard packages include a 316L stainless steel pool heat exchanger for most applications. For salt water pools or special applications, a cupro-nickel or titanium (or other requested metal) pool heat exchanger is available.



Multiple Boiler Set-Up

Custom systems based on the size and quantity of pools and/or special applications can be built to your specifications!

Also available with a cupro-nickel, or titanium, (or other requested metal) heat exchanger for salt water and other special applications.

Cupro-nickel heat exchanger shown below.

Key Features:

- Standard system design efficiency up to 97%
- Standard sizes from 299, 999–1,260,000 BTU, with smaller and custom sizes available upon request
- Cascade controls for multiple heaters
- Up to a 5:1 turndown ratio (per burner)
- Pre-piped to external pool heat exchanger
- Can be used for pool heat and indirect domestic hot water
- Hybrid systems available with new and/or existing pool heaters to maximize payback and minimize first cost
- Materials ASTM Certified
- Optional UL 795 & CSA 3.4 test and label



REPRESENTED BY



www.evolucionenergetica.com

Tel: +502 2458-4113

Servicio@evolucionenergetica.com



Innovative Hot Water Solutions

34000 AUTRY STREET, LIVONIA, MI 48150 | 800.968.5530

hamiltonengineering.com | LIT91257 | REV 06/2018

